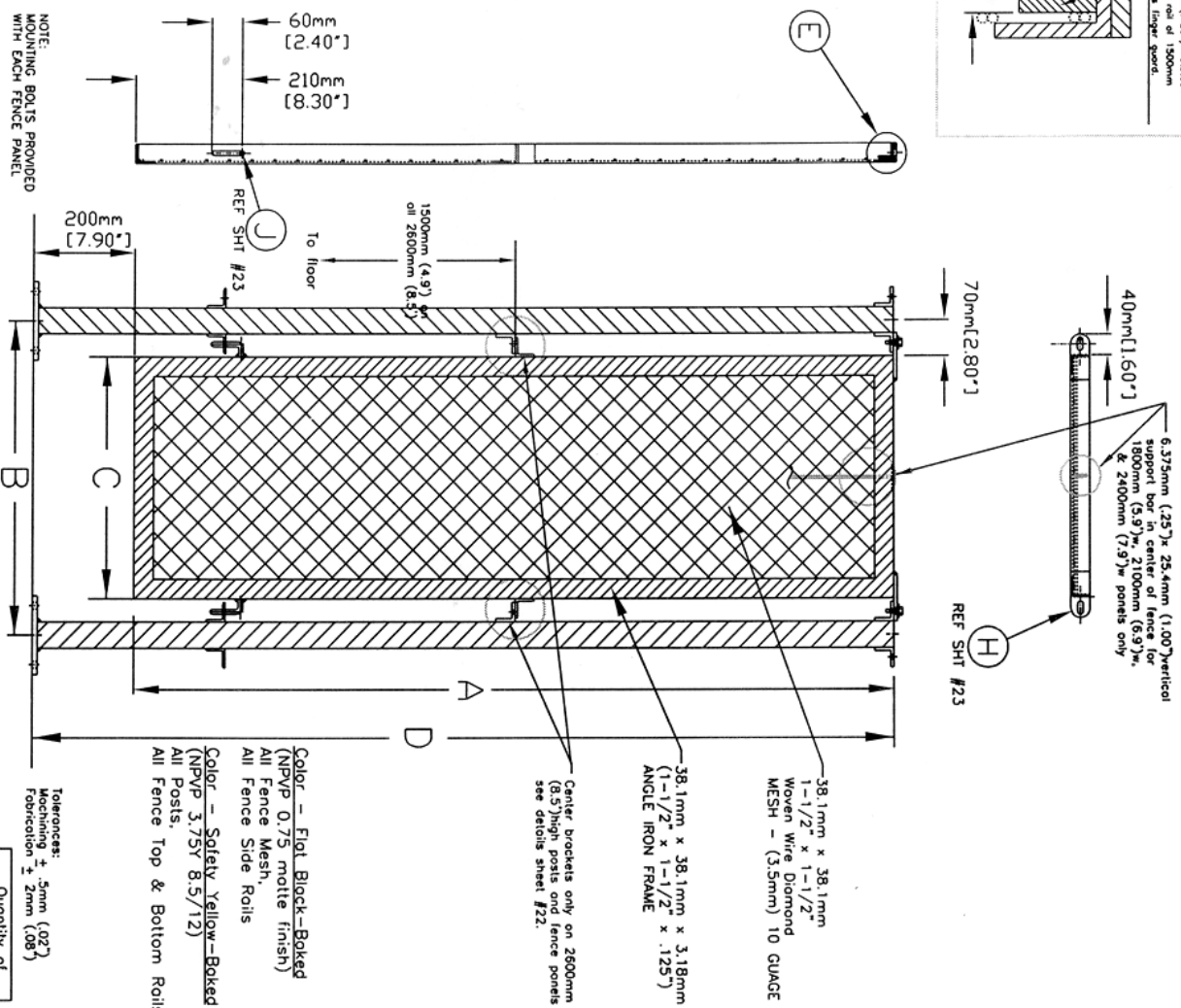
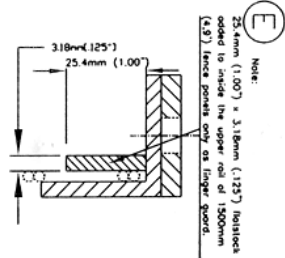


Standard Fence Sections



Item #	Noun Name	Common Code	A	B	C	D	Quantity of Bolts Provided
18	Fence	FENC-0036	1300mm (4.3')	0300mm (1.0')	160mm (6.3")	1500mm (4.9')	2
118	Fence	FENC-0048	1300mm (4.3')	0400mm (1.3')	260mm (10.2")	1500mm (4.9')	2
17	Fence	FENC-0037	1300mm (4.3')	0600mm (2.0')	460mm (1.5')	1500mm (4.9')	2
16	Fence	FENC-0038	1300mm (4.3')	0900mm (3.0')	760mm (2.5')	1500mm (4.9')	2
15	Fence	FENC-0039	1300mm (4.3')	1200mm (3.9')	1060mm (3.5')	1500mm (4.9')	2
119	Fence	FENC-0049	1300mm (4.3')	1300mm (4.3')	1160mm (3.8')	1500mm (4.9')	2
44	Fence	FENC-0040	1300mm (4.3')	1500mm (4.9')	1360mm (4.5')	1500mm (4.9')	2
45	Fence	FENC-0041	1300mm (4.3')	1800mm (5.9')	1660mm (5.5')	1500mm (4.9')	2
46	Fence	FENC-0042	1300mm (4.3')	2100mm (6.9')	1960mm (6.4')	1500mm (4.9')	2
14	Fence	FENC-0043	1300mm (4.3')	2400mm (7.9')	2260mm (7.4')	1500mm (4.9')	2
22	Fence	FENC-0044	2400mm (7.9')	0300mm (1.0')	160mm (6.30")	2600mm (8.5')	4
120	Fence	FENC-0050	2400mm (7.9')	0400mm (1.3')	260mm (10.2")	2600mm (8.5')	4
21	Fence	FENC-0045	2400mm (7.9')	0600mm (2.0')	460mm (1.5')	2600mm (8.5')	4
19	Fence	FENC-0046	2400mm (7.9')	0900mm (3.0')	760mm (2.5')	2600mm (8.5')	4
20	Fence	FENC-0047	2400mm (7.9')	1200mm (3.9')	1060mm (3.5')	2600mm (8.5')	4
121	Fence	FENC-0051	2400mm (7.9')	1300mm (4.3')	1160mm (3.8')	2600mm (8.5')	4

NOTE:
MOUNTING BOLTS PROVIDED WITH EACH FENCE PANEL

General Notes

No.	Revision/Issue	Date

Firm Name and Address
Phoenix Wire Cloth by Sycamore
A division of:
Phoenix Wire Cloth, Inc.
585 Stephenson Hwy
Troy, Michigan 48063
Phone: (248) 585-6350
FAX: (248) 585-4121

Project Name and Address:
Common Metric Fencing
Standard Fence Sections

File Name: MFence07.dwg

Project:
Common Metric Fencing
Date: 09/05/1997
Drawn By: S. Le Fever
Scale: NONE

Sheet:
07 of 31